

PK 13.501K SLD 3 | PK 14.501K SLD 5

MORE PAYLOAD THANKS TO INTELLIGENT LIGHTWEIGHT DESIGN

LIFETIME EXCELLENCE



MULTITALENTE NEAR AND FAR

The PK 13.501K SLD 3 and PK 14.501K SLD 5 models are ideal for the daily work at construction sites and gardens regarding loading and unloading of building materials. Our short-boom cranes in the 13 to 15 meter ton range are unbeatable, especially when space is limited, as is often the case on construction sites. The higher hook-height at close range and the possibility of increasing the payload through the intelligent lightweight design make them the ideal working tool for many areas of application. A-HPLS gives our loader cranes even more lifting power, when it is necessary. It increases the capacity of the crane by up to 15 percent, while reducing working speed.

The all-rounders differ on the one hand in the load moment and on the other hand in the model line itself. No matter which crane a customer chooses - he will be satisfied with it for a lifetime, because PALFINGER stands for LIFETIME EXCELLENCE with its products.





SOPHISTICATED TECHNOLOGY, THAT CONVINC



Single Link

More power on the hook

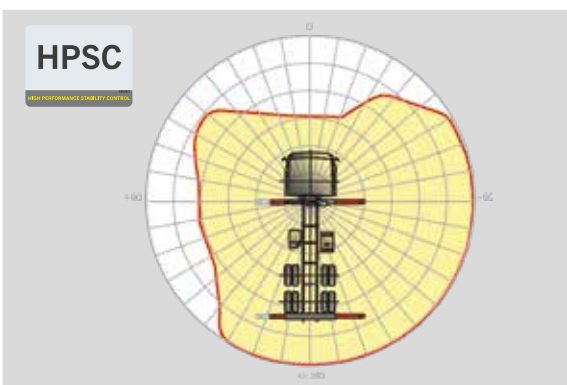
The linkage system improves the crane's motion geometry significantly.



High Speed Extension

For efficient assignments

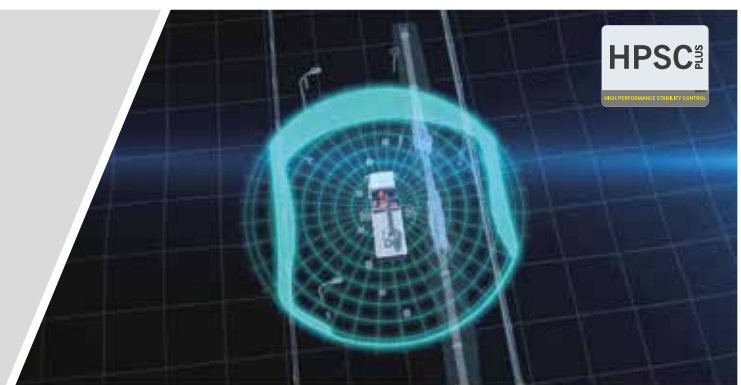
The High Speed Extension speeds up the extension boom system. Crane works faster and more efficiently.



HPSC*

Maximum utilisation of the working range

The variable stabiliser positioning of the High Performance Stability Control System makes it possible to utilise the lifting capacity to the maximum. It enables working within tight spaces.



HPSC-Plus LOAD*

Longer reach due to load detection

HPSC-Plus LOAD is an additional module, extending the stability system HPSC. Thanks to inclination monitoring, lifting capacity can be maximized using the truck's load.



Paltronic*

Comfort and safety

The Paltronic, PALFINGER offers the latest control electronics for the series production crane. The custom designed electronic operates and monitors the crane and offers more efficiency in use and safety.

Radio remote control*

Dialogue with the operator

PALFINGER radio remote controls are equipped with linear lever or cross lever and provide the greatest possible comfort for the operator. All SLD models with LED-Display inform the crane operator about the different operating conditions.



Hose equipment for attachments*

Versatile and user-friendly

The hose equipment offers an easy means of connecting auxiliary equipment. The hose equipment is guided in hose trays for protection

Lighting package*

More crane safety particularly at dusk and dark

LEDs which backlight the control panel make it easier to read off the crane functions and provide the crane operator with a quick overview of the entire panel during the working process. LED warning lights in the supporting cylinders mean greater safety for crane operator and passers-by.



Control console

All information at a glance

All important information about the crane can be seen on the main control stand. A digital indicator counts and displays the operating hours. Ergonomic control levers and the optional lighting package provide increased safety and comfort even in poor visibility conditions.

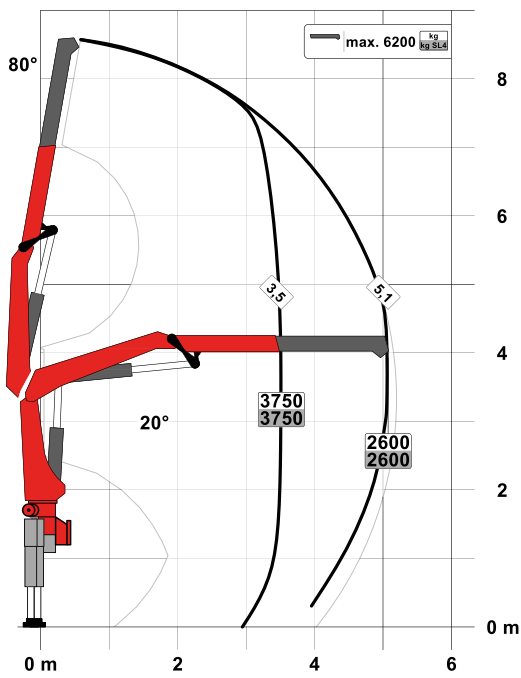
Coating technology

Top quality surface protection at a glance

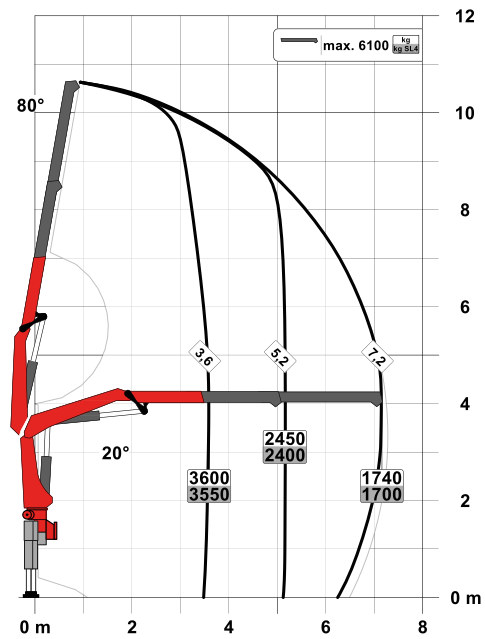
The KTL coating lays the foundation for a perfect surface protection. Afterwards the components are either coated in the powder-coating facility or are finished with a two-components-top-coat. High value retention and excellent corrosion protection for the whole life of a crane.

LIFTING CAPACITY DIAGRAMS

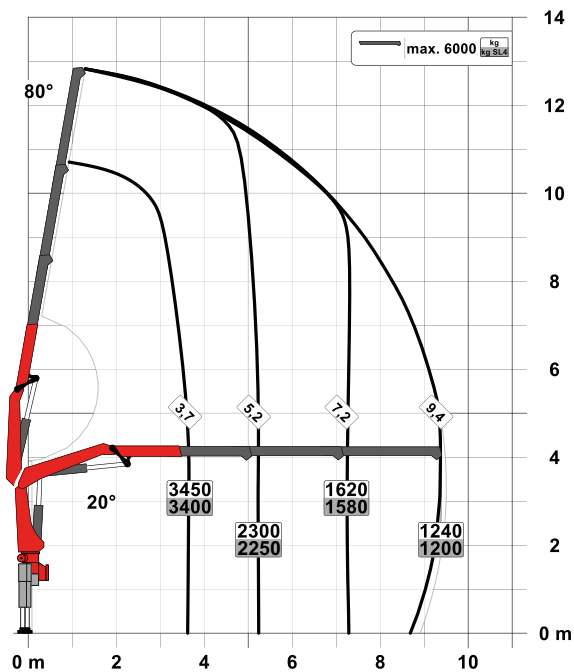
STD



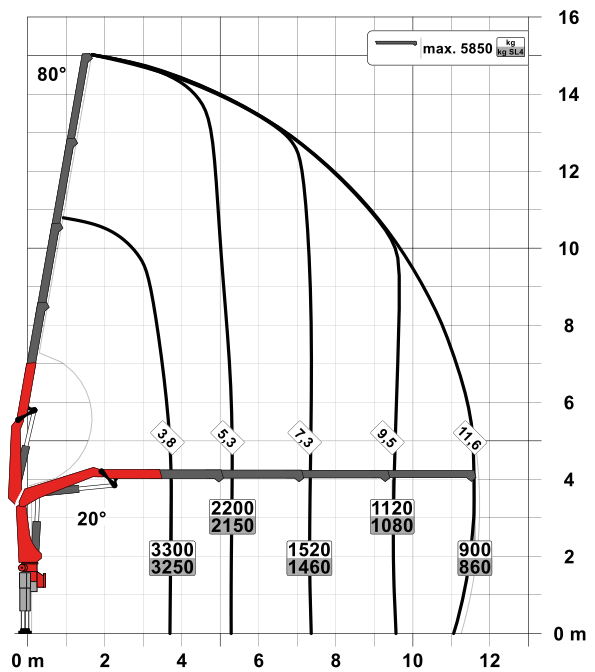
A



B



C



MODEL LINE SLD 3

- Single Link Plus
- Paltronic overload protection
- Stability monitoring system ISC-S
- Optional:
 - Stability monitoring system HPSC-L, HPSC-E
 - Radio remote control
- CE model

TECHNICAL SPECIFICATIONS

EN 12999 HC1 HD4/S2

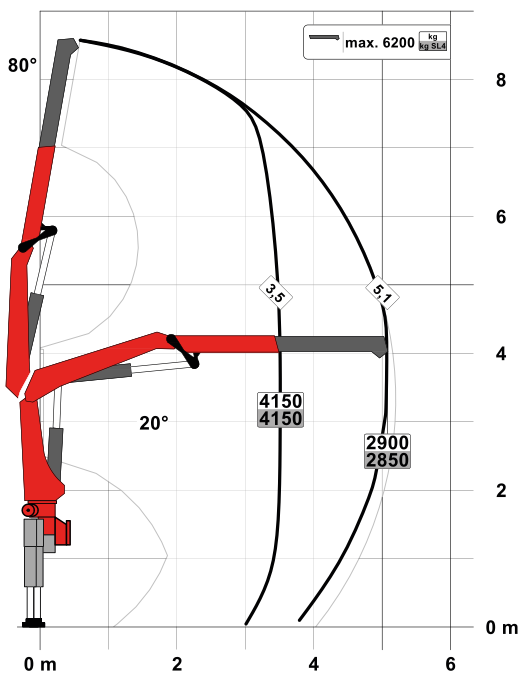
Max. lifting moment	13.2 mt / 129.8 kNm	95,700 ft.lb
Max. lifting capacity	6200 kg / 60.8 kN	13,700 lb
Max. hydraulic outreach	11.7 m	38' 5"
Slewing angle	420°	
Slewing torque	1.6 mt / 15.7 kNm	11,580 ft.lb
Stabiliser spread (std./max.)	5.0 m / 6.6 m	16' 5" / 21' 8"
Fitting space required (std.)	0.74 m	2' 5"
Width folded	2.55 m	8' 4"
Max. operating pressure	330 bar	4,785 psi
Recommended pump capacity	from 35 l/min to 50 l/min	9.2 US gpm 13.2 US gpm
Dead weight (std.)	1480 kg	3,260 lb



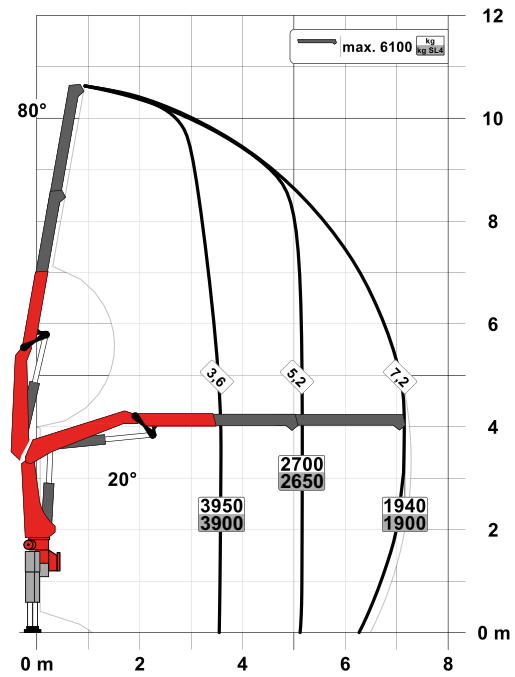
PK 14.50IK SLD 5

LIFTING CAPACITY DIAGRAMS

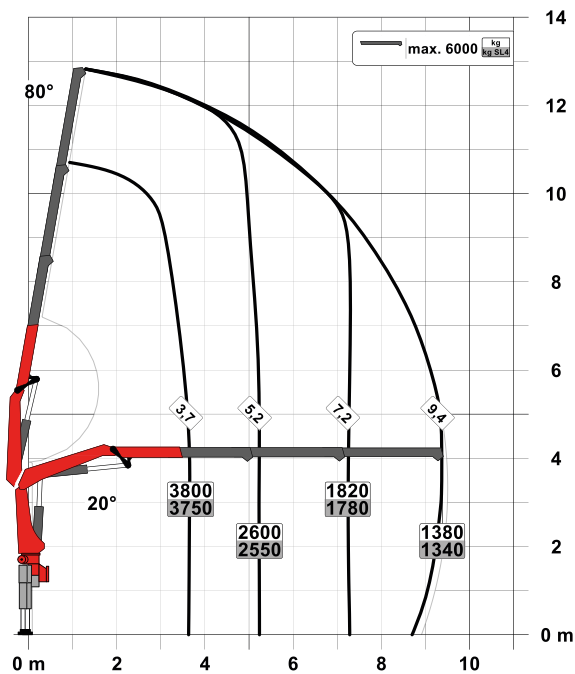
STD



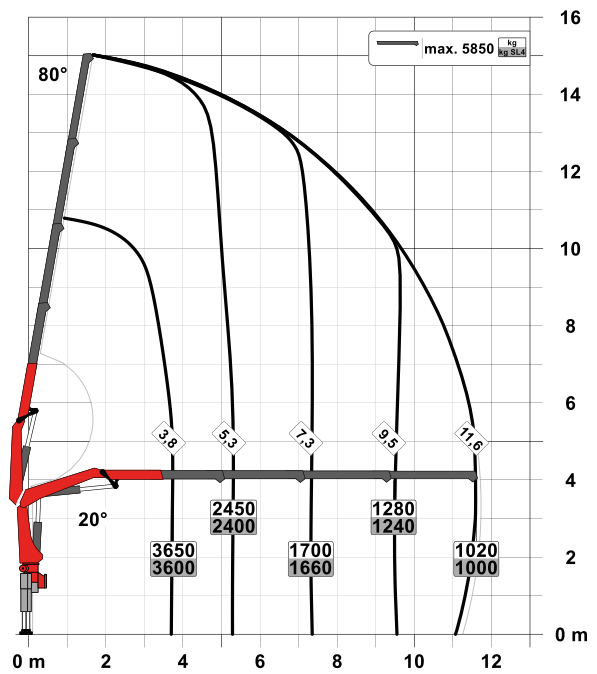
A



B



C



MODEL LINE SLD 5

- Single Link Plus
- Paltronic overload protection
- A-HPLS
- Load Sensing valve
- Radio remote control with LED display
- Stability monitoring system ISC-S
- Optional:
 - Stability monitoring system HPSC-L, HPSC-E
- CE model

TECHNICAL SPECIFICATIONS

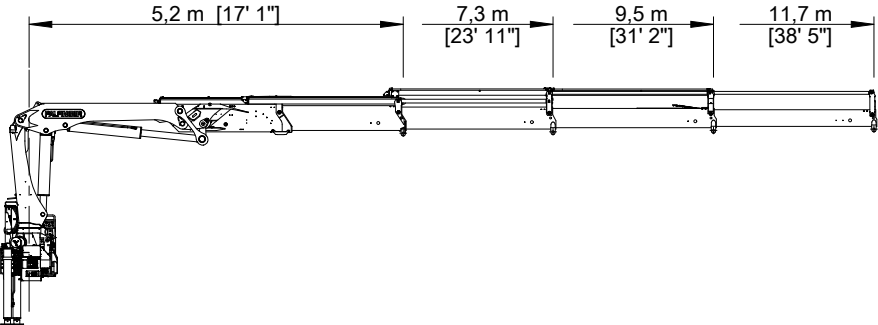
EN 12999 HC1 HD4/S2

Max. lifting moment	14.6 mt / 143.3 kNm	105,650 ft.lb
Max. lifting capacity	6200 kg / 60.8 kN	13,700 lb
Max. hydraulic outreach	11.7 m	38' 5"
Slewing angle	420°	
Slewing torque	1.6 mt / 15.7 kNm	11,580 ft.lb
Stabiliser spread (std./max.)	5.0 m / 6.6 m	16' 5" / 21' 8"
Fitting space required (std.)	0.74 m	2' 5"
Width folded	2.55 m	8' 4"
Max. operating pressure	360 bar	5,220 psi
Recommended pump capacity	from 50 l/min to 70 l/min	13.2 US gpm 18.5 US gpm
Dead weight (std.)	1510 kg	3,330 lb



PERFECT DIMENSIONS

EXTENSION BOOM VARIANTS STANDARD – C



WORKING POSITION, TRANSPORT POSITION

